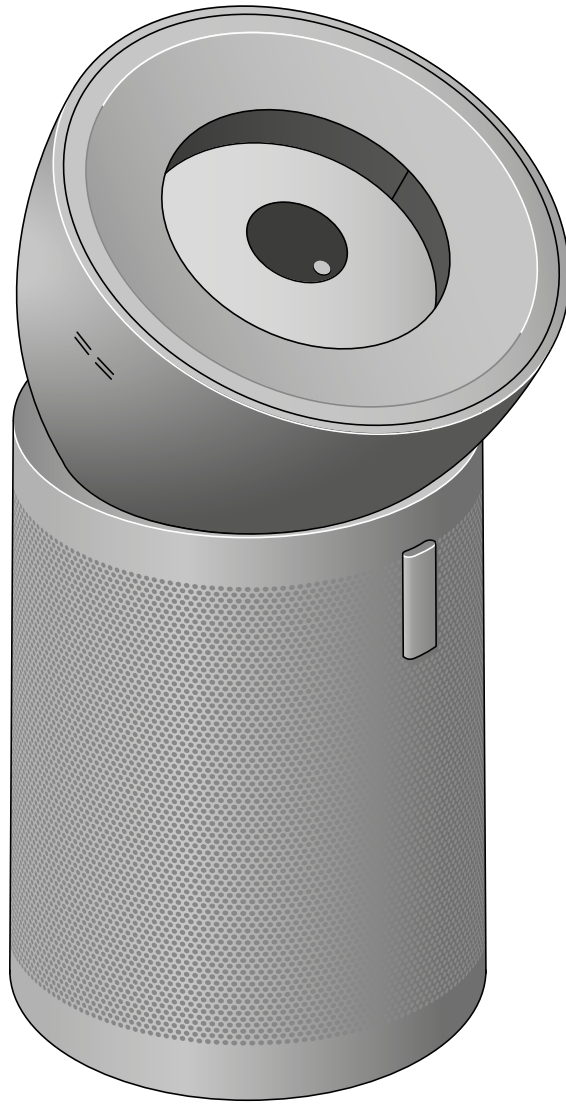


dyson purifier big+quiet formaldehyde

User guide

SV12 JN.00000 PN.000000-00-00
00.00.00 VERSION NO.01



Contents

Getting started

Assembling your machine

Positioning your machine

Connecting to the MyDyson™ app

Connecting to your smart home

Power on/off

Continuous monitoring

Information menu

Auto purify

Set airflow speed and direction

Night mode and Sleep timer

Changing your HEPA filter

Reset your HEPA filter life

Changing your carbon filter

Reset your carbon filter life

Looking after your machine

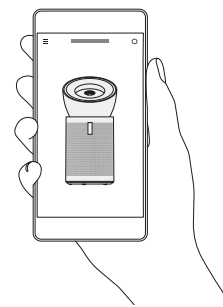
Getting started

Real-time LCD screen
LCD screen reports indoor air quality in real time.

Intelligent sensors
An integrated sensor system detects pollutants across a whole room.

360° HEPA filter

Carbon filter



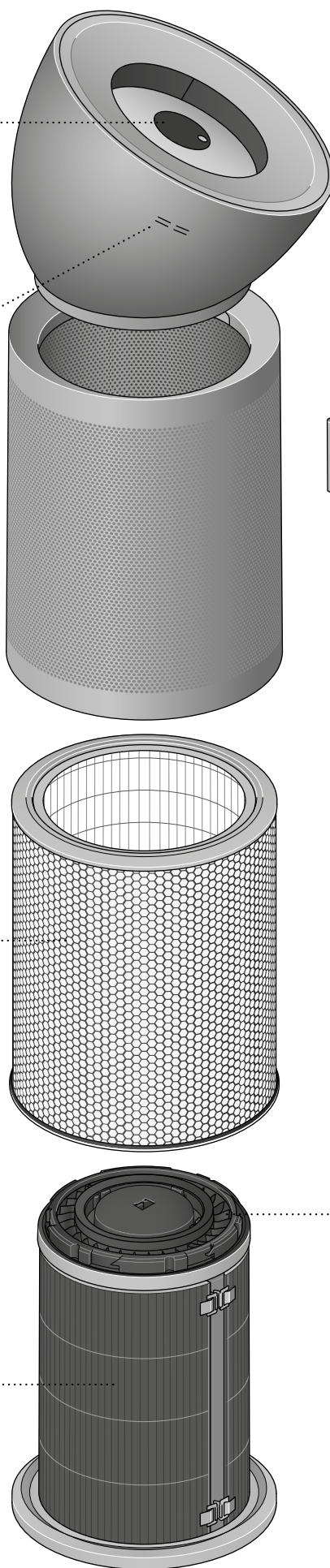
MyDyson™ app
The MyDyson™ app is essential to get the most from your air purifier. You can track current and historical data, control your machine from wherever you are, set schedules and track filter life.



Remote control
Magnetically stores on the front of the machine for easy access.

Selective catalytic oxidation filter

Hidden wheels
Easy to manoeuvre across a room – designed for hard surfaces.



Assembling your machine

Use both hands to lift your machine out of the box, by its base.

Your machine comes with a HEPA filter, carbon filter and permanent catalytic filter. These are already installed in your machine.

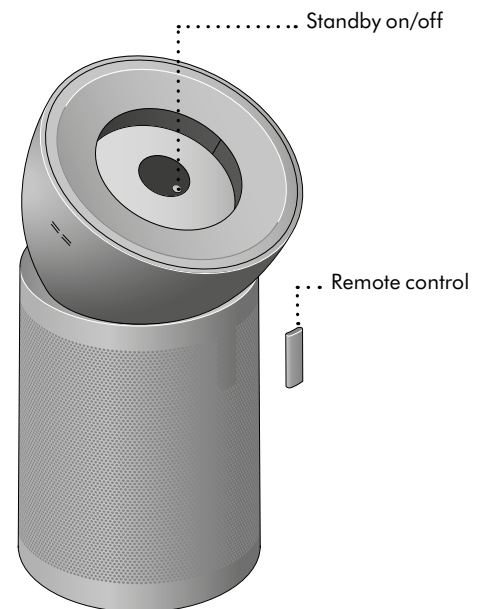
Lift the conic amplifier out of the box and place it on the top of your machine.

Rotate the conic amplifier until it clicks securely into place.

Plug in and press the power button on the screen or remote control.



Place the remote control on the front of your machine with the buttons facing down.



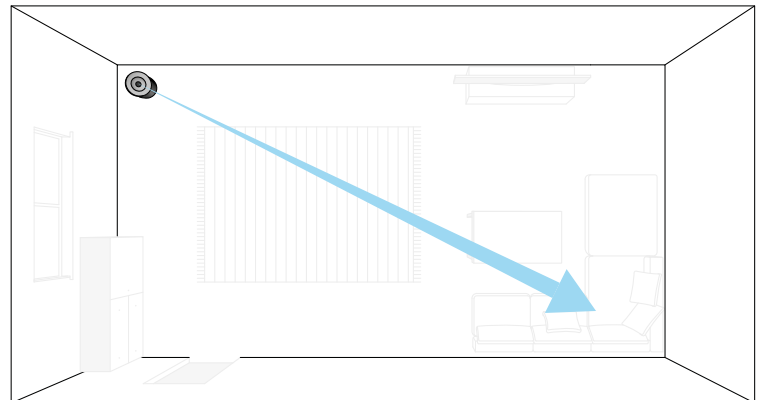
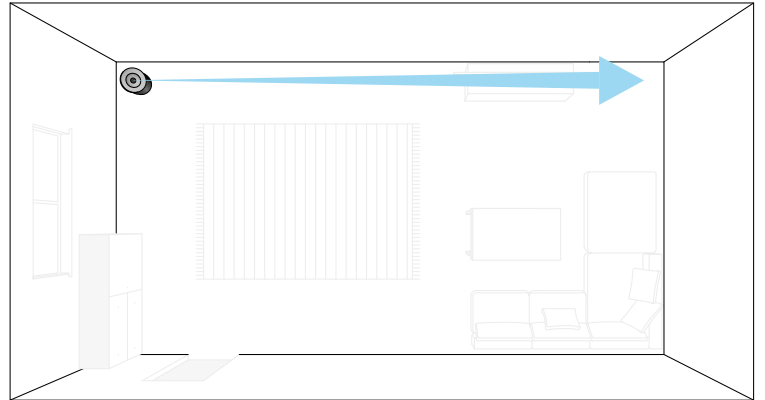
Positioning your machine

Your machine is fitted with wheels to make it easier to move.

Position your machine on a level floor.

For the most effective purification, position your machine on the edge of the room at least three and a half feet from the wall, with the conic amplifier pointing to the furthest point, along the wall.

You can also position your machine facing diagonally across the room.



Connecting to the MyDyson™ app

Take full control with the MyDyson™ app and access step-by-step setup and support, control how and when your Dyson air purifier operates, monitor air quality with visual updates and automatically keep up to date with the latest software updates.

Download the MyDyson™ app from the App Store or Google Play.

Open the app and follow the on-screen instructions to create a new account.



Apple and the Apple logo are trademarks of Apple Inc., registered in the U.S. and other countries. App Store is a service mark of Apple Inc., registered in the U.S. and other countries. Google Play and the Google Play logo are trademarks of Google Inc.



The Android robot is reproduced or modified from work created and shared by Google and used according to terms described in the Creative Commons 3.0 Attribution License.



Connecting to your smart home

Using Amazon Alexa

Ask Alexa to enable the Dyson skill – to help control your air purifier. Set a routine that automates how your machine works with other devices in your home.



Using Google Assistant

Control all of your connected purifiers with Google or set a routine to automate how your machine works with other devices in your home. Just say "Hey Google" to get started.



Using Siri

Connect your Dyson machine to Siri Shortcuts to control it by voice on your Apple device.



Power on/off

Press the Stand-by on/off button on your Dyson air purifier or remote control to start/stop your machine. It will continue to monitor the air quality.



Continuous monitoring

Continuous monitoring is turned off by default. You'll need to activate it to see your historic AQ data.

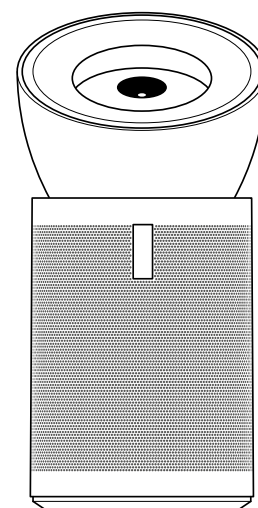
With continuous monitoring active, your Dyson air purifier will gather air quality and temperature information, displaying it on the LCD screen and in the MyDyson™ app.

Continuous monitoring on/off

You'll be prompted to activate Continuous monitoring on the MyDyson™ app. To turn it on or off using the remote control, press and hold the Auto mode button for five seconds. The LCD screen will indicate the Continuous monitoring status.

Wi-Fi connectivity

Wi-Fi is turned on by default. To turn the Wi-Fi on or off, press and hold the Stand-by on/off button on your machine for five seconds.



Information menu

Press this button to scroll through information monitored by your Dyson air purifier.

Information about air quality, temperature, humidity and filter levels is shown on the LCD screen.

When a particular type of pollutant causes air quality to decrease, a symbol for the pollutant will show on the LCD screen.



Indoor air quality

Air quality graph shows the last 12 seconds of data.



Particulate matter (PM2.5)

Microscopic particles up to 2.5 microns in size, suspended in the air we breathe. These include smoke and allergens.



Particulate matter (PM10)

Larger microscopic particles up to 10 microns in size, suspended in the air we breathe. These include dust and pollen.



Volatile organic compounds

VOCs are potentially harmful odors found in cleaning products, paints and furnishings.



Nitrogen dioxide and other oxidising gases

Potentially harmful gases released into the air by combustion from cooking and vehicle exhaust emissions.



Indoor temperature

Monitor the ambient temperature of the room.



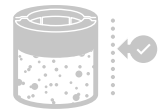
Indoor humidity

The amount of water vapor in the air, shown as a percentage.



Filters

Remaining filter life on LCD screen indicates when filters need replacing.



Formaldehyde (HCHO)

A common indoor pollutant released for many years from furnishings, floorings and glue.



Wi-Fi

The current status of connection to the Wi-Fi network.



Carbon dioxide (CO₂)

CO₂ can build up indoors without adequate ventilation, which can impact cognitive function.



Auto purify

Set your air purifier to Auto mode and the on-board sensors will intelligently adjust the settings of the machine according to the air quality.

Air quality: your machine will pause when the target air quality has been reached, switching on again when the air quality levels drop.

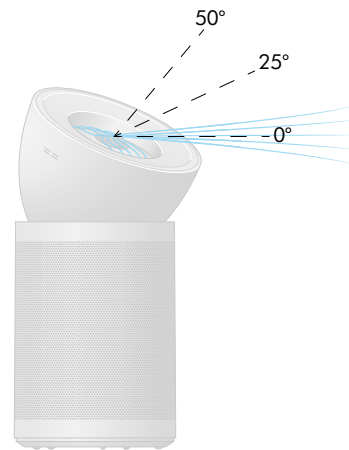
Airflow speed: the airflow speed will increase to its maximum until the target air quality has been reached.



Set airflow speed and direction

Increase or decrease the airflow speed and change air direction from 0° to 50° using the remote or MyDyson™ app.

Select Breeze mode by repeatedly pressing down on the airflow direction button until it activates or by using the MyDyson™ app.



Night mode and Sleep timer

In Night mode, your Dyson air purifier will continue to clean the air quietly, in a lower airflow speed with its LCD screen dimmed.

Press the Night mode and Sleep timer button to scroll through the timer options.



Changing your HEPA filter

The MyDyson™ app and the LCD screen will alert you when your filter life is running low. Replacement filters are available to buy on www.dyson.com

Remove the conic amplifier

Slide the Release button on the back of the conic amplifier to unlock. Lift the conic amplifier off your machine.

Lift the outer cover off the base of your machine.

Remove the filter

The HEPA filter is located in the outer cover. Press the filter release buttons located on the inner rim and lift the outer cover off the filter.

Dispose of the filter.

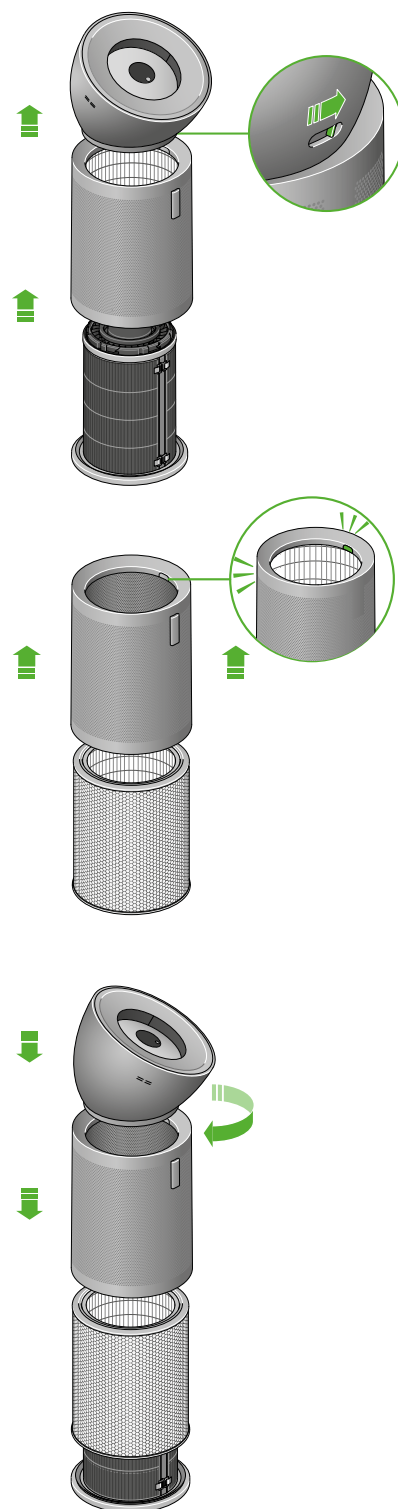
Install a new filter

Remove your replacement filter from any packaging. Place the filter on the base of your machine.

Place the outer cover over the filter and press down until it clicks securely into position.

Place the conic amplifier on your machine and rotate until it clicks securely in position.

Plug in, switch on and reset your filter life.



Reset your HEPA filter life

It's important to reset the filter life after replacing your filter.

Press and hold the Night mode button on the remote control.

The LCD screen on your machine will count down from five, until a tick appears on the screen.

The filter life has been reset and your machine is ready to use.



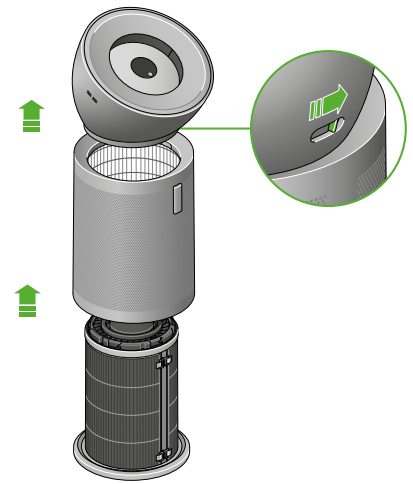
Changing your carbon filter

The MyDyson™ app and the LCD screen will alert you when your filter life is running low. Replacements are available to buy on www.dyson.com

Remove the conic amplifier

Slide the Release button on the back of the conic amplifier to unlock. Lift the conic amplifier off your machine.

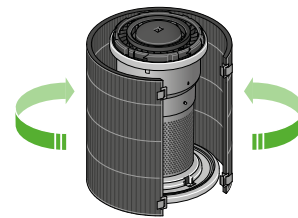
Lift the outer cover off the base of your machine.



Remove the filter

The carbon filter is wrapped around the central body of your machine. Pull each of the four clips towards you to release the filter.

Dispose of the filter.



Install a new filter

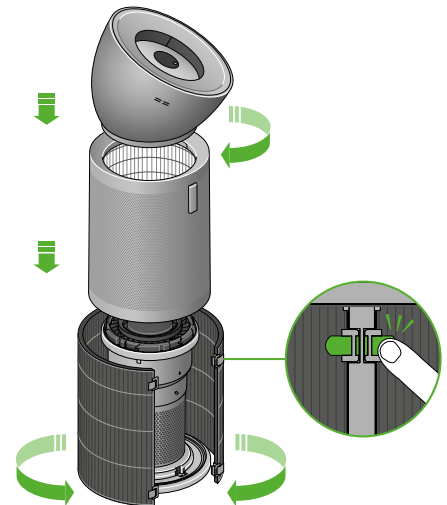
Remove your replacement filter from any packaging.

Wrap the filter around the base of your machine, fit the clips in position and push each one to secure the filter.

Place the outer cover and HEPA filter back in position on the base of your machine.

Place the conic amplifier on your machine and rotate until it clicks securely in position.

Plug in and switch on, and reset your filter life.



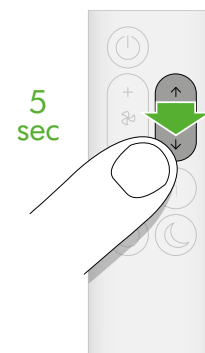
Reset your carbon filter life

It's important to reset your filter life after you have replaced your filter.

Press and hold the down airflow direction button on the remote control.

The LCD screen on your machine will count down from five, until a tick appears on the screen.

The filter life has been reset and your machine is ready to use.

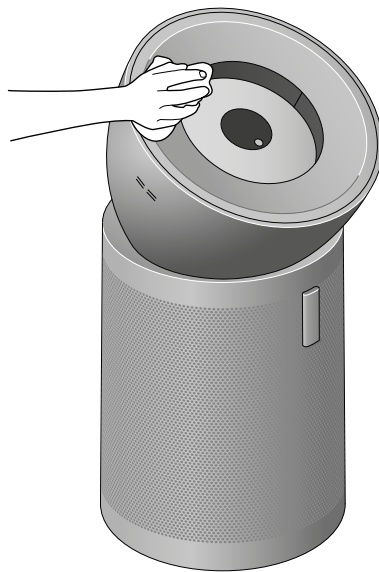


Looking after your machine

To always get the best performance from your Dyson air purifier, it's important to regularly clean it and check for blockages.

Cleaning your machine

If your machine is dusty, wipe with damp, lint-free cloth.



Check the sensor inlets on the left hand side of the conic amplifier for dust and debris.

Look for dust and debris in the outer cover and in the conic amplifier.

Use a soft brush to remove dust and debris.

Don't use detergents or polishes to clean your machine.

