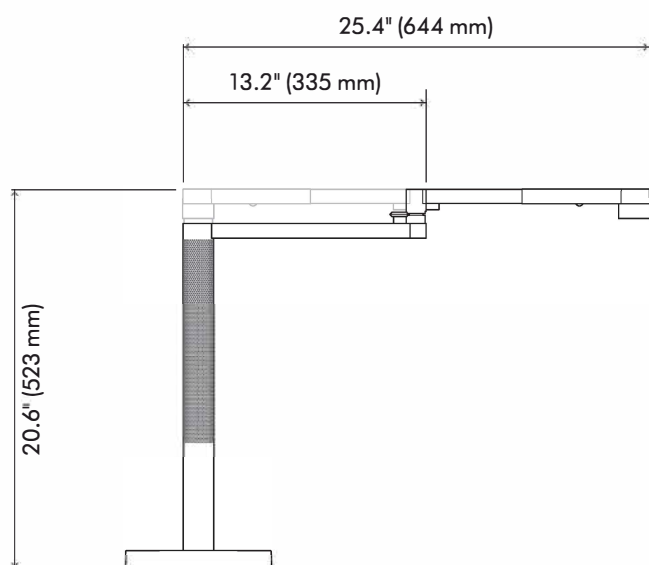


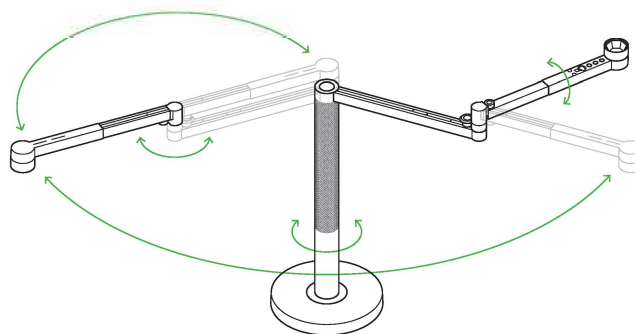
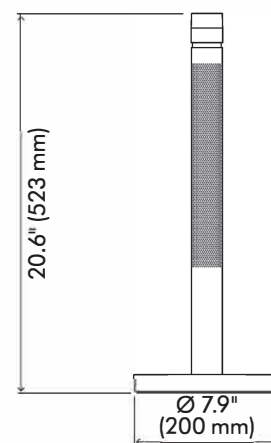
TECHNICAL SPECIFICATION



FRONT ELEVATION



SIDE ELEVATION



Dimensions with arm not extended

Height 20.6" (523 mm) Width 7.9" (200 mm) Depth 16.3" (414 mm)

For further information please contact Dyson.

888-397-6622

design@dyson.com

www.dyson.com

dyson solarcycle morph

Electrical

Input voltage / Frequency: 100-240V 50/60Hz

Rated power: 11.2W

Power supply cord length: 10.5ft (3.2m)

Electrical class: Class 2

Optical

Light source: LED

Light output: 850lm¹

Light output ratio: 80%

Luminous efficacy: 70lm/w

LED life time: 181,000 hours²

Color temperature: Docked: 1800-3400k; Undocked: 2700-6500k

CRI: 90 or over

R9: 48 MIN

Standby power consumption: <0.5W

IP rating: Indoor use only

Operating temperature range: 0-40°C, 32-104°F

Flicker: <1%³

Features

USB-C charging point: 1.5A at 5V

Controlled by the MyDyson app⁴

Construction

Materials: Aluminum / Copper / Steel / Polycarbonate Plastic

Operation

Precision dimming

Logistics

Net weight: 7.7lb (3.5kg)

Packaged weight: 12.9lb (5.85kg)

Packaged dimensions: 24.1" (613 mm) (L) x 17.3" (440 mm) (W) x 3.5" (91 mm) (H)

Accreditation

Complies with

UL 153

CSA C22.2.#250.4

IEC /EN 60598-1, IEC /EN 60598-2-4

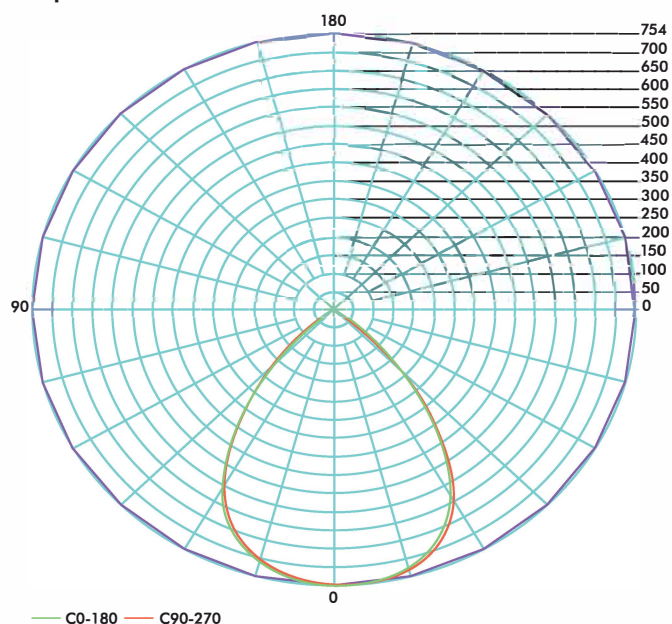
GB 7000.1, GB7000.204; GB4943.1

IEC 60598-1, IEC 60598-2-4

Standard warranty

5 warranty

Polar plot



Product range

White/Silver

Black/Black



Desk:
White /Silver: 292214-01
Black /Black: 292213-01

Floor version also available:
White /Silver: 292217-01
Black /Black: 292215-01

1. Tested at full brightness according to IEEE 1789 – 2015 – Recommended Practices for Modulating Current in High-Brightness LEDs for Mitigating Health Risks to Viewers. 2. LED-life calculation is based on L70 measurement according to IEC 62717, with an estimation of 8 hours' usage per day. Real-life results may vary. 3. Values may vary in real life and with Correlated Color Temperature (CCT) setting. 4. Requires device to run app, 2.4GHz or 5GHz Wi-Fi connection or mobile data, and Bluetooth 4.0 support. For app compatibility, please search for "MyDyson" on the iOS App Store or the Google Play Store. Standard data and messaging rates may apply.

Version: 11 /6 /2023.

All information subject to change without notice.

For further information please contact Dyson.

888-397-6622

design@dyson.com

www.dyson.com